

ACTUATOR-/INDICATOR COMPONENT WITH INTEGRATED LED
 230V AC LAMP HOLDER SCREW TERMINAL YELLOW !!! Phased-out product !!! SIRIUS ACT 3SU1 is successor Preferred successor type is >>3SU1401-1BF30-1AA0<<



Figure similar

| | |
|----------------------------------|------------|
| Product designation | lampholder |
| Contact block/ lampholder | |
| Mounting type | integrated |
| Number of lampholders | 1 |
| General technical data | |
| Product function | |
| • positive opening | No |
| Product component | |
| • diode | Yes |
| • lamp transformer | No |
| • Light source | Yes |
| • series resistor | No |
| Insulation voltage | |
| • rated value | 250 V |
| Degree of pollution | class 3 |
| Type of voltage | |
| • of the operating voltage | AC |

| | |
|---|-------|
| Surge voltage resistance rated value | 4 kV |
| Protection class IP | |
| • of the enclosure | IP40 |
| • of the terminal | IP20 |
| Reference code acc. to DIN 40719 extended according to IEC 204-2 acc. to IEC 750 | H |
| Reference code acc. to DIN EN 81346-2 | P |
| Reference code acc. to DIN EN 61346-2 | P |
| Operating voltage 1 | |
| • at AC | |
| — at 50 Hz rated value | 230 V |
| — at 60 Hz rated value | 230 V |

Supply voltage

| | |
|--|-------|
| Type of voltage of the supply voltage | |
| • of the light source | AC |
| Supply voltage of the light source at AC | |
| • at 50 Hz rated value | 230 V |
| • at 60 Hz rated value | 230 V |
| Relative negative tolerance of the supply voltage | -15 % |
| Relative positive tolerance of the supply voltage | 10 % |

Auxiliary circuit

| | |
|---|-------|
| Number of NC contacts for auxiliary contacts | 0 |
| Number of NO contacts for auxiliary contacts | 0 |
| Number of CO contacts | |
| • for auxiliary contacts | 0 |
| Consumed current for rated value of supply voltage maximum | 17 mA |

Connections/ Terminals

| | |
|---|------------------------------------|
| Type of electrical connection | screw-type terminals |
| Type of connectable conductor cross-sections | |
| • for auxiliary contacts | |
| — solid | 2x (1.0 ... 1.5 mm ²) |
| — solid with core end processing | 2x (0.5 ... 0.75 mm ²) |
| — finely stranded with core end processing | 2x (0.5 ... 1.5 mm ²) |
| • at AWG conductors for auxiliary contacts | 2x (18 ... 14) |
| Tightening torque | |
| • for auxiliary contacts with screw-type terminals | 0.8 N·m |

Lamp

| | |
|----------------------------------|--------|
| Type of light source | LED |
| Color of the light source | yellow |

Ambient conditions

| | |
|----------------------------|----------------|
| Ambient temperature | |
| • during operation | -25 ... +70 °C |
| • during storage | -25 ... +80 °C |

Installation/ mounting/ dimensions

| | |
|----------------------|----------------|
| Mounting type | front mounting |
| Height | 36 mm |
| Width | 10 mm |
| Depth | 20 mm |

Certificates/ approvals

| | |
|---------------------------------|----------------------------------|
| General Product Approval | Declaration of Conformity |
|---------------------------------|----------------------------------|



[Miscellaneous](#)

| | |
|--------------|----------------|
| other | Railway |
|--------------|----------------|

[Confirmation](#)

[Environmental Con-
firmations](#)

[Special Test Certi-
ficate](#)

Further information

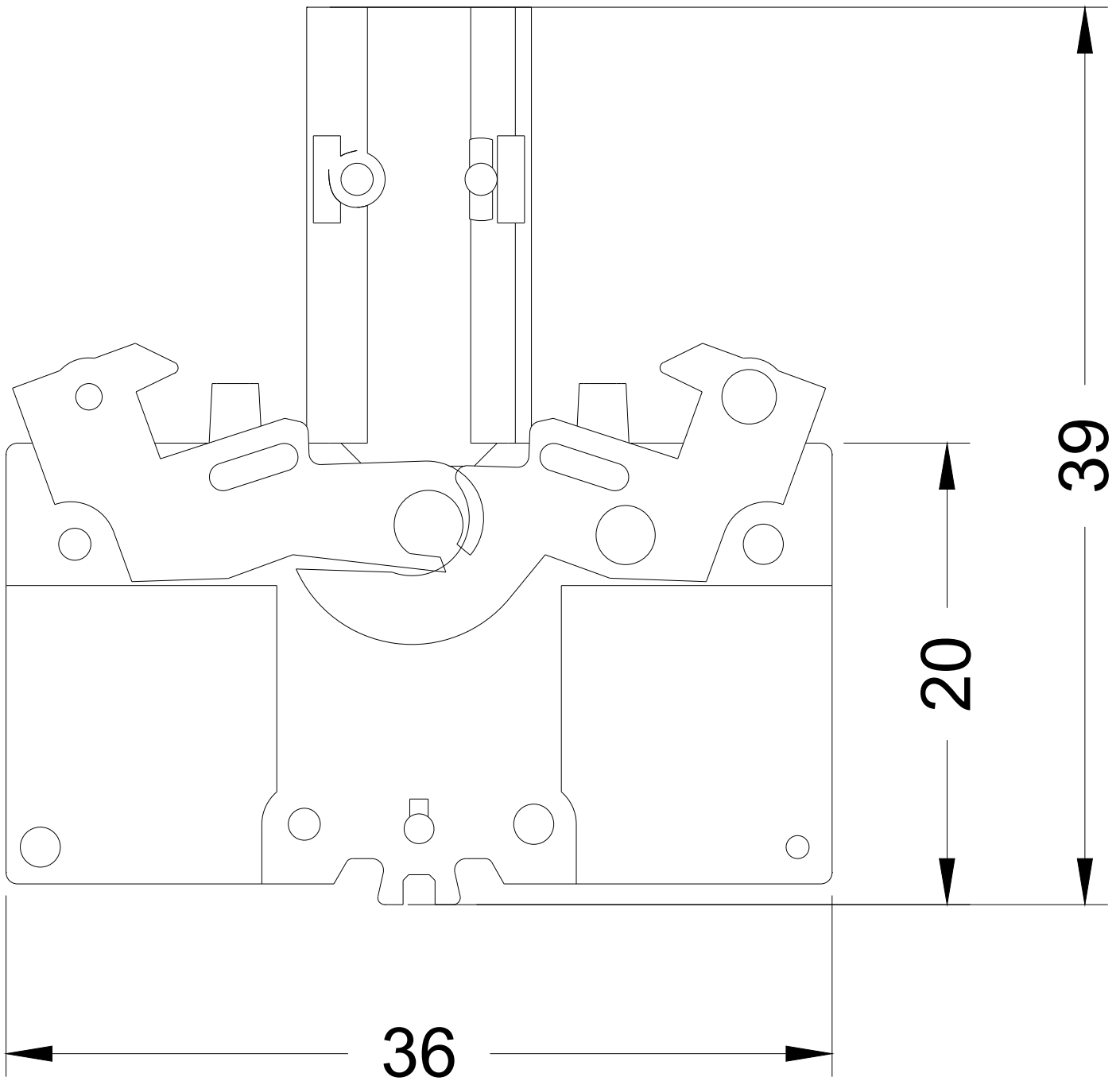
Information- and Downloadcenter (Catalogs, Brochures,...)
www.siemens.com/ic10

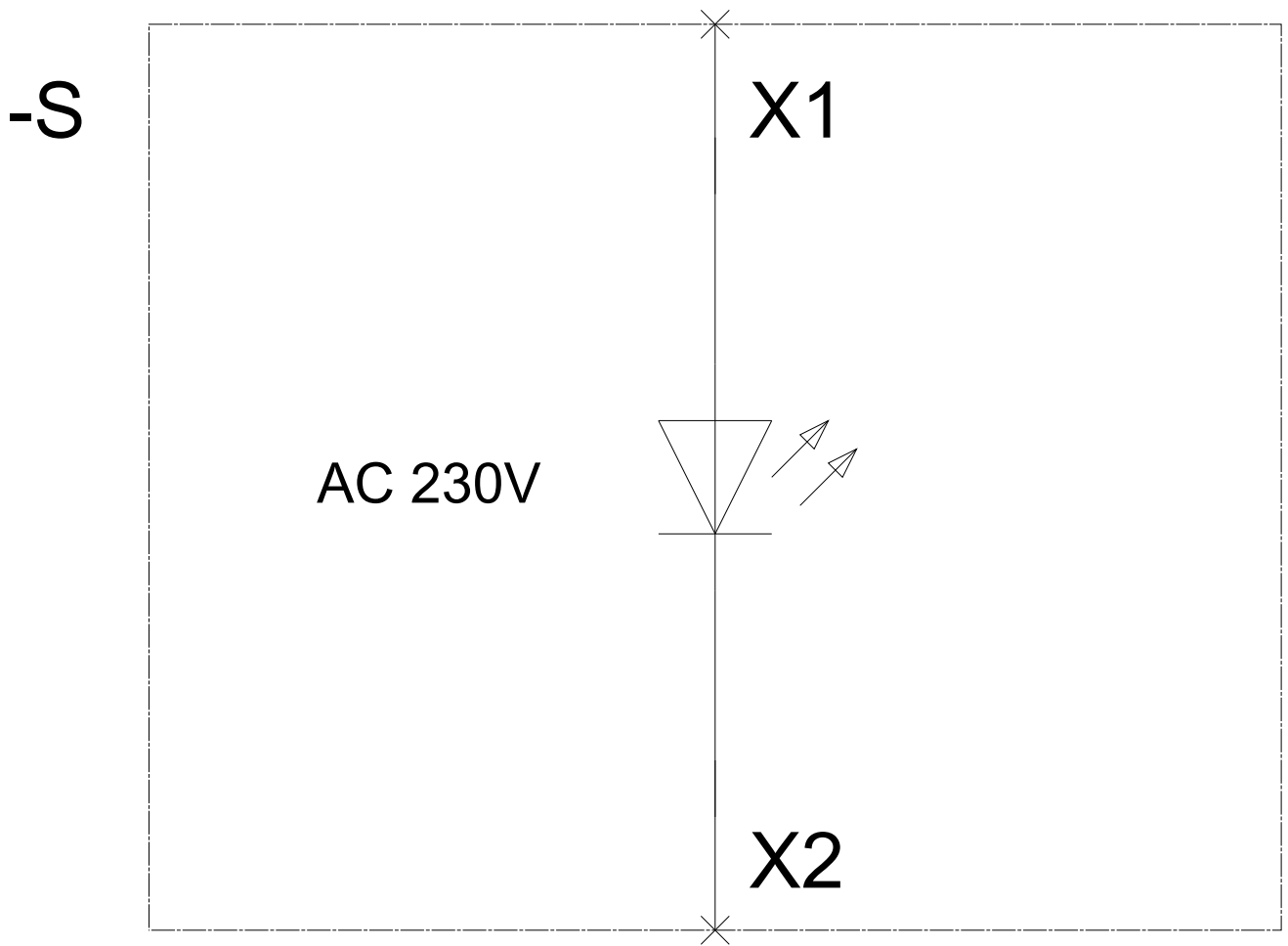
Industry Mall (Online ordering system)
<https://mall.industry.siemens.com/mall/en/en/Catalog/product?mlfb=3SB3400-1RA>

Cax online generator
<http://support.automation.siemens.com/WW/CAXorder/default.aspx?lang=en&mlfb=3SB3400-1RA>

Service&Support (Manuals, Certificates, Characteristics, FAQs,...)
<https://support.industry.siemens.com/cs/ww/en/ps/3SB3400-1RA>

Image database (product images, 2D dimension drawings, 3D models, device circuit diagrams, EPLAN macros, ...)
http://www.automation.siemens.com/bilddb/cax_de.aspx?mlfb=3SB3400-1RA&lang=en





last modified:

12/20/2019