

ACTUATOR-/INDICATOR COMPONENT WITH INTEGRATED LED  
 110V AC LAMP HOLDER SCREW TERMINAL GREEN !!! Phased-  
 out product !!! SIRIUS ACT 3SU1 is successor Preferred successor  
 type is >>3SU1401-1BC40-1AA0<<



Figure similar

<b>Product designation</b>	lampholder
<b>Contact block/ lampholder</b>	
<b>Mounting type</b>	integrated
<b>Number of lampholders</b>	1
<b>General technical data</b>	
<b>Product function</b>	
• positive opening	No
<b>Product component</b>	
• diode	Yes
• lamp transformer	No
• Light source	Yes
• series resistor	No
<b>Insulation voltage</b>	
• rated value	250 V
<b>Degree of pollution</b>	class 3
<b>Type of voltage</b>	
• of the operating voltage	AC

<b>Surge voltage resistance rated value</b>	4 kV
<b>Protection class IP</b>	
• of the enclosure	IP40
• of the terminal	IP20
<b>Reference code acc. to DIN 40719 extended according to IEC 204-2 acc. to IEC 750</b>	H
<b>Reference code acc. to DIN EN 81346-2</b>	P
<b>Reference code acc. to DIN EN 61346-2</b>	P
<b>Operating voltage 1</b>	
• at AC	
— at 50 Hz rated value	110 V
— at 60 Hz rated value	110 V

### Supply voltage

<b>Type of voltage of the supply voltage</b>	
• of the light source	AC
<b>Supply voltage of the light source at AC</b>	
• at 50 Hz rated value	110 V
• at 60 Hz rated value	110 V
<b>Relative negative tolerance of the supply voltage</b>	-15 %
<b>Relative positive tolerance of the supply voltage</b>	10 %

### Auxiliary circuit

<b>Number of NC contacts for auxiliary contacts</b>	0
<b>Number of NO contacts for auxiliary contacts</b>	0
<b>Number of CO contacts</b>	
• for auxiliary contacts	0
<b>Consumed current for rated value of supply voltage maximum</b>	15 mA

### Connections/ Terminals

<b>Type of electrical connection</b>	screw-type terminals
<b>Type of connectable conductor cross-sections</b>	
• for auxiliary contacts	
— solid	2x (1.0 ... 1.5 mm <sup>2</sup> )
— solid with core end processing	2x (0.5 ... 0.75 mm <sup>2</sup> )
— finely stranded with core end processing	2x (0.5 ... 1.5 mm <sup>2</sup> )
• at AWG conductors for auxiliary contacts	2x (18 ... 14)
<b>Tightening torque</b>	
• for auxiliary contacts with screw-type terminals	0.8 N·m

### Lamp

<b>Type of light source</b>	LED
<b>Color of the light source</b>	green

### Ambient conditions

<b>Ambient temperature</b>	
• during operation	-25 ... +70 °C
• during storage	-25 ... +80 °C

Installation/ mounting/ dimensions	
<b>Mounting type</b>	front mounting
<b>Height</b>	36 mm
<b>Width</b>	10 mm
<b>Depth</b>	20 mm

### Certificates/ approvals

General Product Approval	Declaration of Conformity
--------------------------	---------------------------



[Miscellaneous](#)

other	Railway
-------	---------

[Confirmation](#)

[Environmental Con-  
firmations](#)

[Special Test Certi-  
ficate](#)

### Further information

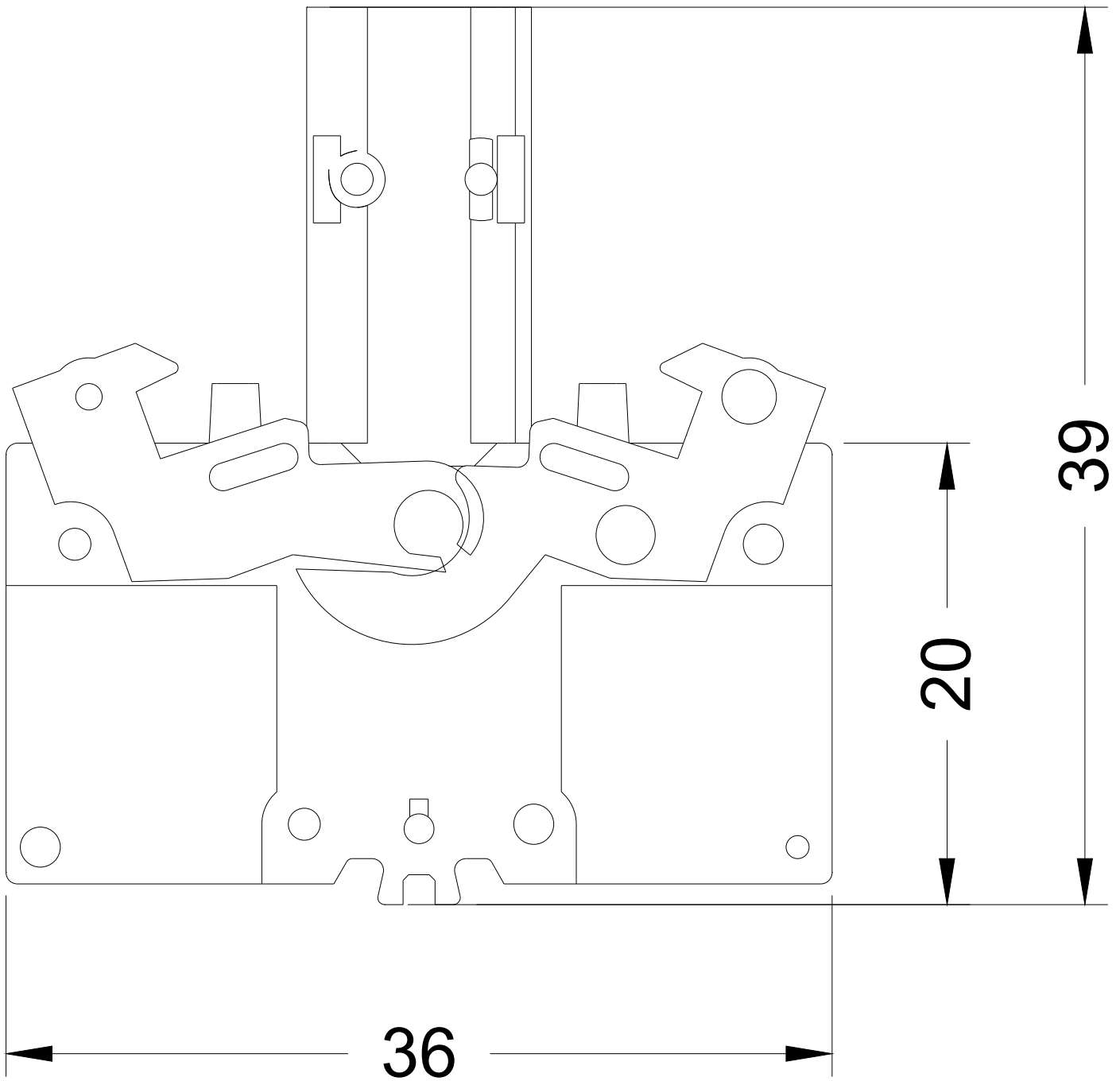
**Information- and Downloadcenter (Catalogs, Brochures,...)**  
[www.siemens.com/ic10](http://www.siemens.com/ic10)

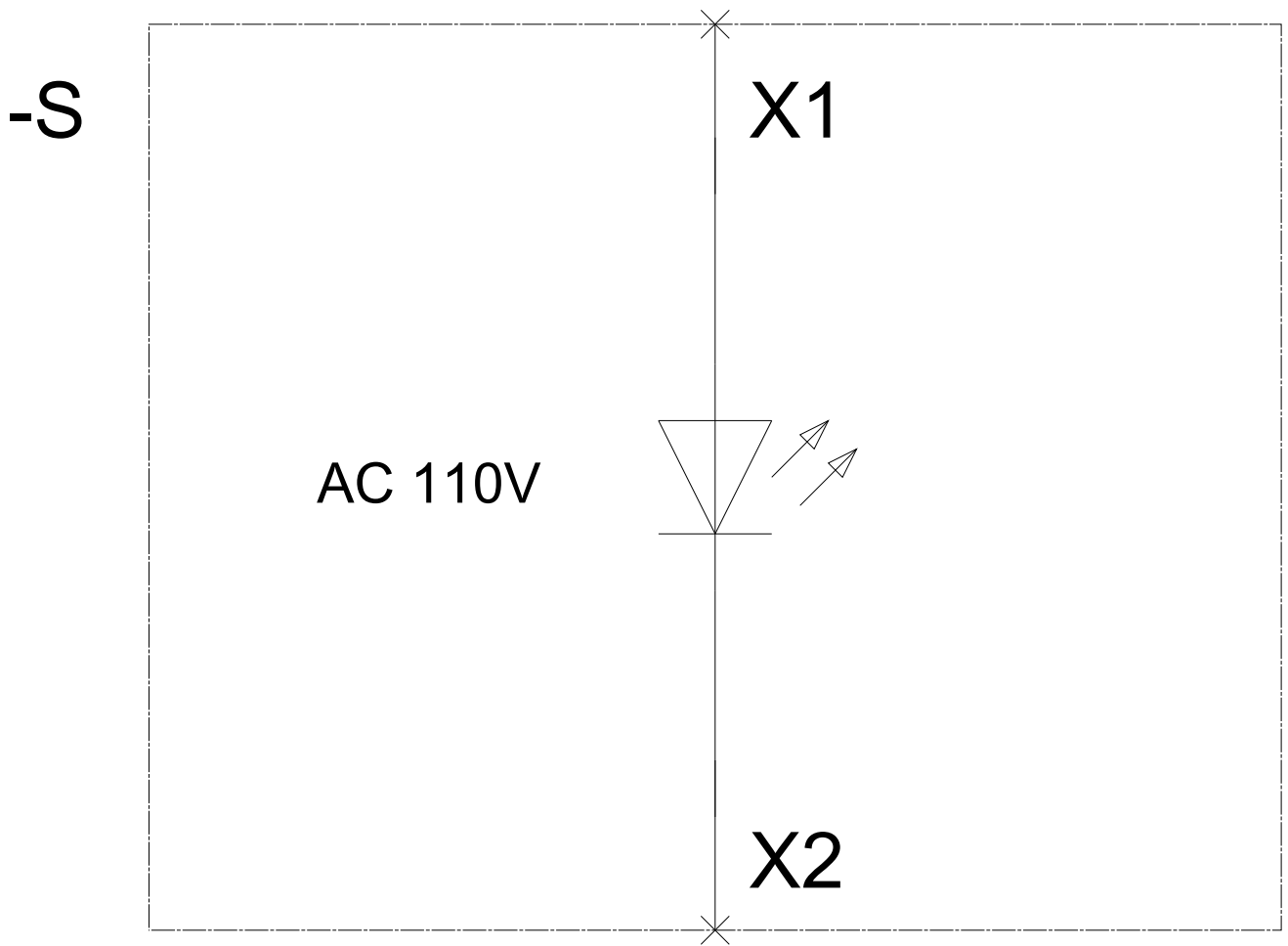
**Industry Mall (Online ordering system)**  
<https://mall.industry.siemens.com/mall/en/en/Catalog/product?mlfb=3SB3400-1QC>

**Cax online generator**  
<http://support.automation.siemens.com/WW/CAXorder/default.aspx?lang=en&mlfb=3SB3400-1QC>

**Service&Support (Manuals, Certificates, Characteristics, FAQs,...)**  
<https://support.industry.siemens.com/cs/ww/en/ps/3SB3400-1QC>

**Image database (product images, 2D dimension drawings, 3D models, device circuit diagrams, EPLAN macros, ...)**  
[http://www.automation.siemens.com/bilddb/cax\\_de.aspx?mlfb=3SB3400-1QC&lang=en](http://www.automation.siemens.com/bilddb/cax_de.aspx?mlfb=3SB3400-1QC&lang=en)





last modified:

12/20/2019