

ACTUATOR-/INDICATOR COMPONENT WITH INTEGRATED LED  
 24V AC/DC LAMP HOLDER SCREW TERMINAL YELLOW !!!  
 Phased-out product !!! SIRIUS ACT 3SU1 is successor Preferred  
 successor type is >>3SU1401-1BB30-1AA0<<



Figure similar

<b>Product designation</b>	lampholder
<b>Contact block/ lampholder</b>	
<b>Mounting type</b>	integrated
<b>Number of lampholders</b>	1
<b>General technical data</b>	
<b>Product function</b>	
• positive opening	No
<b>Product component</b>	
• diode	Yes
• lamp transformer	No
• Light source	Yes
• series resistor	No
<b>Insulation voltage</b>	
• rated value	250 V
<b>Degree of pollution</b>	class 3
<b>Type of voltage</b>	
• of the operating voltage	AC/DC

<b>Surge voltage resistance rated value</b>	4 kV
<b>Protection class IP</b>	
• of the enclosure	IP40
• of the terminal	IP20
<b>Reference code acc. to DIN 40719 extended according to IEC 204-2 acc. to IEC 750</b>	H
<b>Reference code acc. to DIN EN 81346-2</b>	P
<b>Reference code acc. to DIN EN 61346-2</b>	P
<b>Operating voltage</b>	
• at AC	
— at 50 Hz rated value	21.6 ... 26.4 V
— at 60 Hz rated value	21.6 ... 26.4 V
• at DC	
— rated value	21.6 ... 26.4 V
<b>Operating voltage 1</b>	
• at AC	
— at 50 Hz rated value	24 V
— at 60 Hz rated value	24 V
• at DC rated value	24 V

#### Supply voltage

<b>Type of voltage of the supply voltage</b>	
• of the light source	AC/DC
<b>Supply voltage of the light source at AC</b>	
• at 50 Hz rated value	24 V
• at 60 Hz rated value	24 V
<b>Supply voltage of the light source at DC</b>	
• rated value	24 V
<b>Relative negative tolerance of the supply voltage</b>	-15 %
<b>Relative positive tolerance of the supply voltage</b>	10 %

#### Auxiliary circuit

<b>Number of NC contacts for auxiliary contacts</b>	0
<b>Number of NO contacts for auxiliary contacts</b>	0
<b>Number of CO contacts</b>	
• for auxiliary contacts	0
<b>Consumed current for rated value of supply voltage maximum</b>	18 mA

#### Connections/ Terminals

<b>Type of electrical connection</b>	screw-type terminals
<b>Type of connectable conductor cross-sections</b>	
• for auxiliary contacts	
— solid	2x (1.0 ... 1.5 mm <sup>2</sup> )

— solid with core end processing	2x (0.5 ... 0.75 mm <sup>2</sup> )
— finely stranded with core end processing	2x (0.5 ... 1.5 mm <sup>2</sup> )
• at AWG conductors for auxiliary contacts	2x (18 ... 14)
<b>Tightening torque</b>	
• for auxiliary contacts with screw-type terminals	0.8 N·m

<b>Lamp</b>	
Type of light source	LED
Color of the light source	yellow

<b>Ambient conditions</b>	
Ambient temperature	
• during operation	-25 ... +70 °C
• during storage	-25 ... +80 °C

<b>Installation/ mounting/ dimensions</b>	
Mounting type	front mounting
Height	36 mm
Width	10 mm
Depth	20 mm

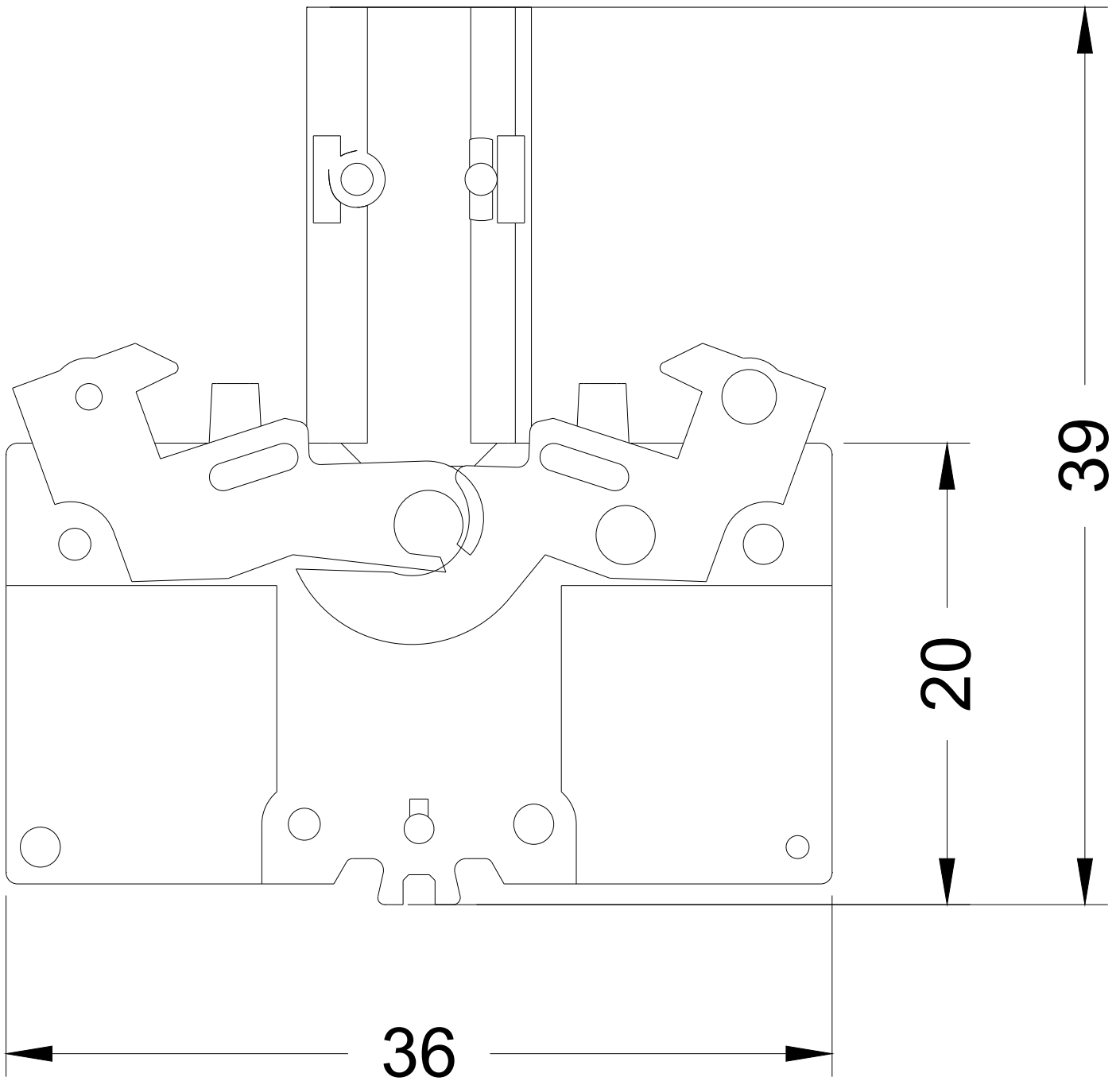
**Certificates/ approvals**

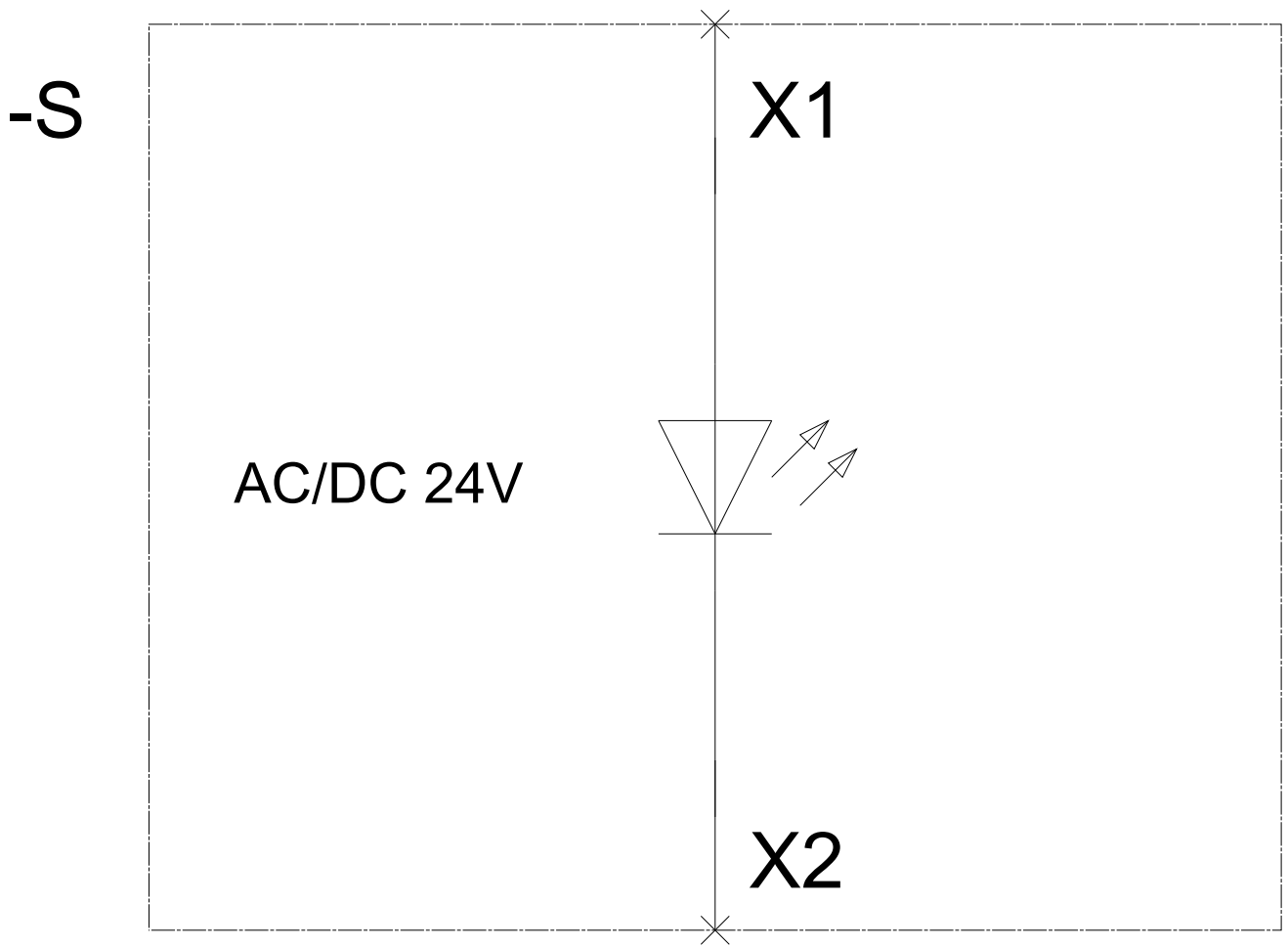
<b>General Product Approval</b>			<b>Declaration of Conformity</b>		
					<a href="#">Miscellaneous</a>
CCC	CSA	UL		EG-Konf.	

<b>other</b>	<b>Railway</b>
<a href="#">Confirmation</a>	<a href="#">Special Test Certificate</a>
<a href="#">Environmental Conformations</a>	

**Further information**

- Information- and Downloadcenter (Catalogs, Brochures,...)**  
[www.siemens.com/ic10](http://www.siemens.com/ic10)
- Industry Mall (Online ordering system)**  
<https://mall.industry.siemens.com/mall/en/en/Catalog/product?mlfb=3SB3400-1PA>
- Cax online generator**  
<http://support.automation.siemens.com/WW/CAXorder/default.aspx?lang=en&mlfb=3SB3400-1PA>
- Service&Support (Manuals, Certificates, Characteristics, FAQs,...)**  
<https://support.industry.siemens.com/cs/ww/en/ps/3SB3400-1PA>
- Image database (product images, 2D dimension drawings, 3D models, device circuit diagrams, EPLAN macros, ...)**  
[http://www.automation.siemens.com/bilddb/cax\\_de.aspx?mlfb=3SB3400-1PA&lang=en](http://www.automation.siemens.com/bilddb/cax_de.aspx?mlfb=3SB3400-1PA&lang=en)





last modified:

12/18/2019