

22MM PLASTIC ROUND COMPLETE UNIT COMBINATION:
 INDICATOR LIGHT WITH CONCENTRIC RINGS ILLUMINATED
 WITH INTEGRATED LED 24V AC/DC SCREW TERMINAL WITH
 HOLDER YELLOW !!! Phased-out product !!! SIRIUS ACT 3SU1 is
 successor Preferred successor type is >>3SU1102-6AA30-1AA0<<



Figure similar

Design of the product	Complete unit round
Enclosure	
Shape of the enclosure front	round
Material of the enclosure	plastic
Number of command points	0
Actuator	
Design of the operating mechanism	indicator light
Product extension optional Light source	Yes
Color	
• of the actuating element	yellow
Material of the actuating element	plastic
Shape of the actuating element	Concentric rings
Number of switching positions	0
Front ring	
Product component front ring	No
Holder	

Material of the holder	Plastic
-------------------------------	---------

Contact block/ lampholder

Mounting type	integrated LED
Number of lampholders	1
Number of switching elements	0

General technical data

Product function	
<ul style="list-style-type: none"> • positive opening • EMERGENCY STOP function 	No No
Product component	
<ul style="list-style-type: none"> • Light source 	Yes
Protection class IP	IP66
Vibration resistance	
<ul style="list-style-type: none"> • acc. to IEC 60068-2-6 	20 ... 200 Hz: 5g
Reference code acc. to DIN 40719 extended according to IEC 204-2 acc. to IEC 750	H
Reference code acc. to DIN EN 81346-2	P
Reference code acc. to DIN EN 61346-2	P

Supply voltage

Type of voltage of the supply voltage	
<ul style="list-style-type: none"> • of the light source 	AC/DC
Supply voltage of the light source at AC	
<ul style="list-style-type: none"> • at 50 Hz rated value • at 60 Hz rated value 	24 V 24 V
Supply voltage of the light source at DC	
<ul style="list-style-type: none"> • rated value 	24 V
Relative negative tolerance of the supply voltage	-15 %
Relative positive tolerance of the supply voltage	10 %

Auxiliary circuit

Number of NC contacts for auxiliary contacts	0
Number of NO contacts for auxiliary contacts	0
Number of CO contacts	
<ul style="list-style-type: none"> • for auxiliary contacts 	0
Consumed current for rated value of supply voltage maximum	18 mA

Connections/ Terminals

Type of electrical connection	screw-type terminals
Tightening torque of the screws in the bracket	1 ... 1.2 N·m

Ambient conditions

Ambient temperature	
<ul style="list-style-type: none"> • during operation 	-25 ... +70 °C

• during storage

-40 ... +80 °C

Environmental category during operation acc. to IEC 60721

3K6

Installation/ mounting/ dimensions

Mounting type	front mounting
Shape of the installation opening	round
Mounting diameter	22 mm
Mounting height	11 mm
Installation width	28 mm
Installation depth	49 mm

Accessories

Product component holder for 3 switching elements No

Certificates/ approvals

General Product Approval

Declaration of Conformity



CCC



CSA



UL



EG-Konf.

[Miscellaneous](#)

Marine / Shipping

other



ABS



LRS



PRS



RINA



DNV-GL

[Confirmation](#)

other

Railway

[Miscellaneous](#)

[Special Test Certificate](#)

Further information

Information- and Downloadcenter (Catalogs, Brochures,...)

www.siemens.com/ic10

Industry Mall (Online ordering system)

<https://mall.industry.siemens.com/mall/en/en/Catalog/product?mlfb=3SB3244-6BA30>

Cax online generator

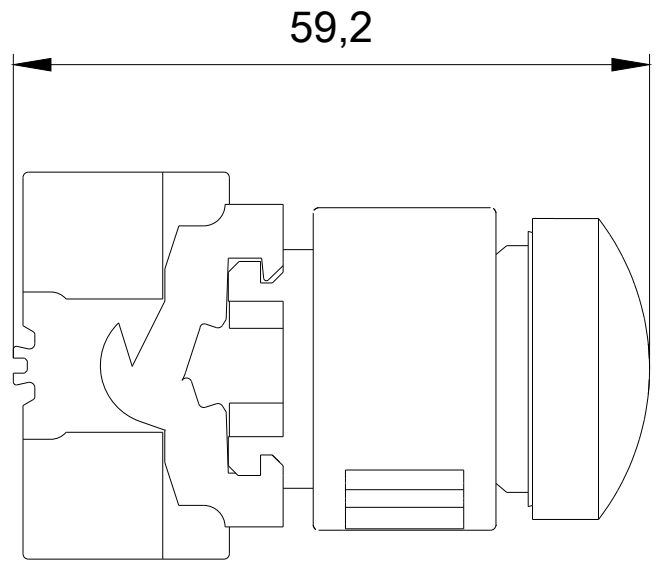
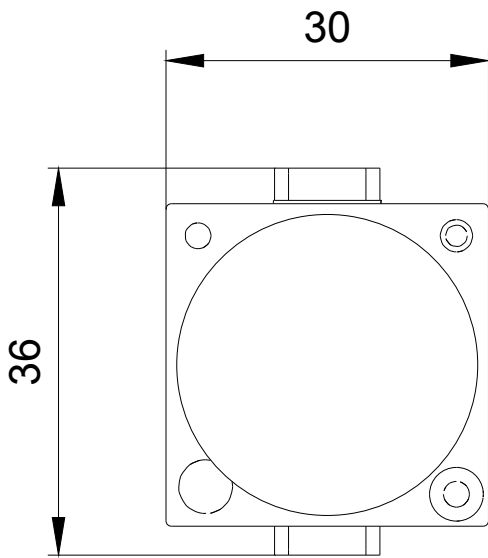
<http://support.automation.siemens.com/WW/CAXorder/default.aspx?lang=en&mlfb=3SB3244-6BA30>

Service&Support (Manuals, Certificates, Characteristics, FAQs,...)

<https://support.industry.siemens.com/cs/ww/en/ps/3SB3244-6BA30>

Image database (product images, 2D dimension drawings, 3D models, device circuit diagrams, EPLAN macros, ...)

http://www.automation.siemens.com/bilddb/cax_de.aspx?mlfb=3SB3244-6BA30&lang=en



last modified:

01/20/2020

W9.4444; 3SB
W7.5833; 3SB