

22MM PLASTIC ROUND COMPLETE UNIT COMBINATION:  
 SELECTOR SWITCH LATCHING 3 SWITCH POSITIONS I-O-II  
 NON-ILLUMINATED SCREW TERMINAL, 1NO, 1NO WITH  
 HOLDER BLACK !!! Phased-out product !!! SIRIUS ACT 3SU1 is  
 successor Preferred successor type is >>3SU1100-2BL60-1NA0<<

Design of the product	Complete unit round
-----------------------	---------------------

### Enclosure

Shape of the enclosure front	round
Material of the enclosure	plastic
Number of command points	1

### Actuator

Design of the operating mechanism	selector switch
Manner of function of the actuating element	latching
Product extension optional Light source	Yes
Color	
• of the actuating element	black
Material of the actuating element	plastic
Type of unlocking device	rotate-to-unlatch mechanism
Number of switching positions	3

### Front ring

Product component front ring	Yes
Design of the front ring	Standard
Material of the front ring	plastic
Color of the front ring	black

### Holder

Material of the holder	Plastic
------------------------	---------

### Contact block/ lampholder

Number of lampholders	0
Number of switching elements	2

### General technical data

Product function	
• positive opening	No
• EMERGENCY STOP function	No
Product component	
• Light source	No
Type of voltage	
• of the operating voltage	AC/DC

<b>Protection class IP</b>	IP66
<b>Vibration resistance</b>	
• acc. to IEC 60068-2-6	20 ... 200 Hz: 5g
<b>Operating frequency maximum</b>	1 000 1/h
<b>Mechanical service life (switching cycles)</b>	
• typical	300 000
<b>Reference code acc. to DIN 40719 extended according to IEC 204-2 acc. to IEC 750</b>	S
<b>Reference code acc. to DIN EN 81346-2</b>	S
<b>Reference code acc. to DIN EN 61346-2</b>	S
<b>Operating voltage</b>	
• rated value	5 ... 400 V

### Auxiliary circuit

<b>Number of NC contacts for auxiliary contacts</b>	0
<b>Number of NO contacts for auxiliary contacts</b>	2
<b>Number of CO contacts</b>	
• for auxiliary contacts	0
<b>Operating current at AC-12</b>	
• at 24 V rated value	10 A
• at 48 V rated value	10 A
• at 110 V rated value	10 A
• at 230 V rated value	10 A
• at 400 V rated value	10 A
<b>Operating current at AC-15</b>	
• at 24 V rated value	6 A
• at 48 V rated value	6 A
• at 110 V rated value	6 A
• at 230 V rated value	6 A
• at 400 V rated value	3 A
<b>Operating current at DC-12</b>	
• at 24 V rated value	10 A
• at 48 V rated value	5 A
• at 110 V rated value	2.5 A
• at 230 V rated value	1 A
<b>Operating current at DC-13</b>	
• at 24 V rated value	3 A
• at 48 V rated value	1.5 A
• at 110 V rated value	0.7 A
• at 230 V rated value	0.3 A

### Connections/ Terminals

<b>Type of electrical connection</b>	screw-type terminals
--------------------------------------	----------------------

Tightening torque of the screws in the bracket	1 ... 1.2 N·m
--	---------------

### Ambient conditions

<b>Ambient temperature</b>	
<ul style="list-style-type: none"> <li>during operation</li> <li>during storage</li> </ul>	<p>-25 ... +70 °C</p> <p>-40 ... +80 °C</p>
Environmental category during operation acc. to IEC 60721	3K6

### Installation/ mounting/ dimensions

Mounting type	front mounting
Shape of the installation opening	round
Mounting diameter	22 mm
Mounting height	24 mm
Installation width	28.5 mm
Installation depth	63 mm

### Accessories

Product component holder for 3 switching elements	No
---	----

### Certificates/ approvals

General Product Approval	Declaration of Conformity
--------------------------	---------------------------



CCC



CSA



UL



EG-Konf.

[Miscellaneous](#)

Marine / Shipping	other
-------------------	-------



ABS



LRS



PRS



RINA



DNVGL.COM/AF

[Confirmation](#)

other	Railway
-------	---------

[Environmental Con-  
firmations](#)

[Miscellaneous](#)

[Special Test Certi-  
ficate](#)

### Further information

**Information- and Downloadcenter (Catalogs, Brochures,...)**

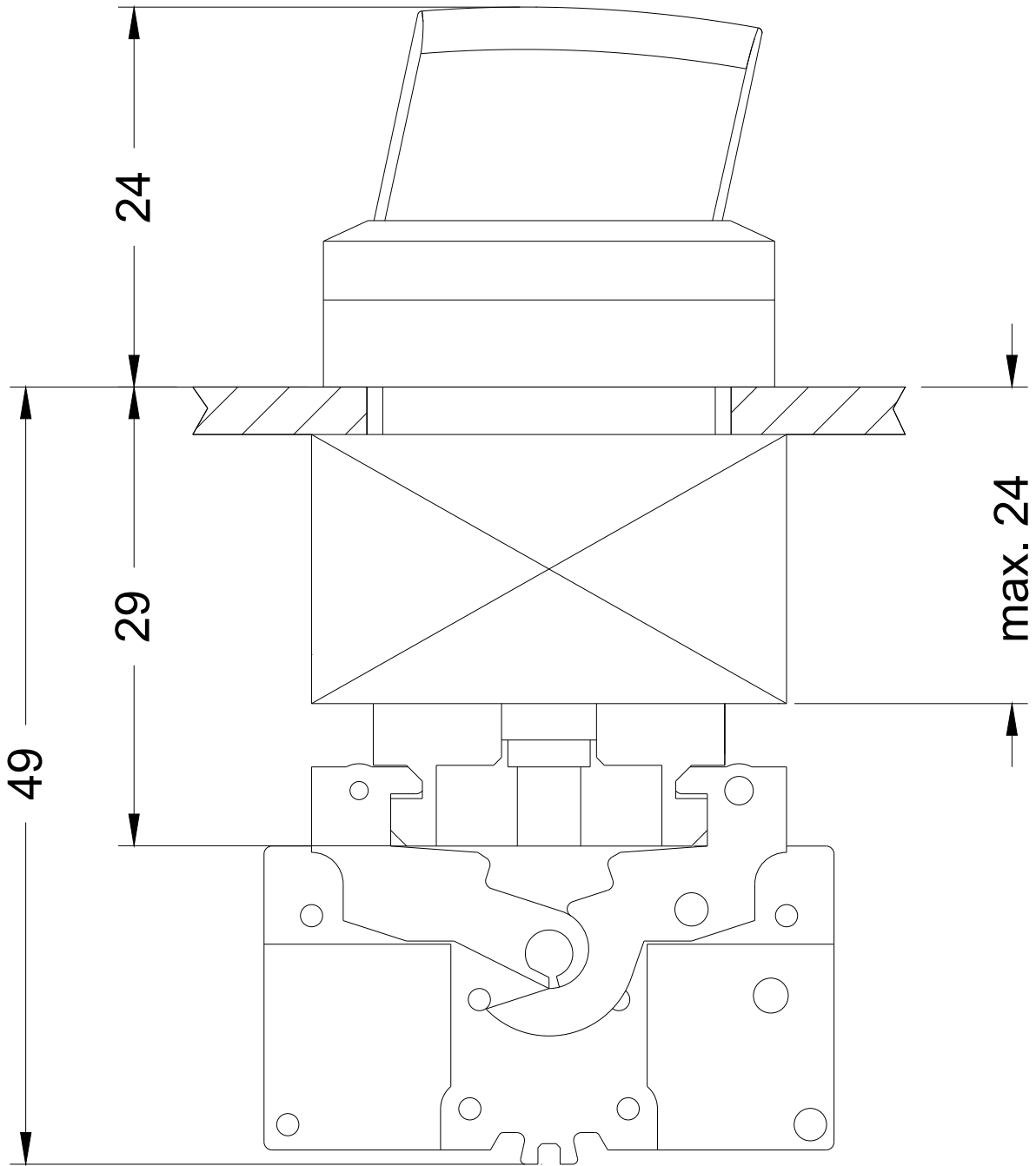
[www.siemens.com/ic10](http://www.siemens.com/ic10)

**Industry Mall (Online ordering system)**

<https://mall.industry.siemens.com/mall/en/en/Catalog/product?mlfb=3SB3210-2DA11>

**Cax online generator**

<http://support.automation.siemens.com/WW/CAXorder/default.aspx?lang=en&mlfb=3SB3210-2DA11>



last modified:

01/08/2020