

22MM PLASTIC ROUND COMPLETE UNIT COMBINATION:  
 INDICATOR LIGHT WITH CONCENTRIC RINGS NON-  
 ILLUMINATED WITH LAMP HOLDER BA 9S WITHOUT LAMP  
 SCREW TERMINAL WITH HOLDER GREEN !!! Phased-out product  
 !!! SIRIUS ACT 3SU1 is successor Preferred successor type is  
 >>3SU1001-6AA40-0AA0 +



Figure similar

<b>Design of the product</b>	Complete unit round
<b>Enclosure</b>	
<b>Shape of the enclosure front</b>	round
<b>Material of the enclosure</b>	plastic
<b>Number of command points</b>	0
<b>Actuator</b>	
<b>Design of the operating mechanism</b>	indicator light
<b>Product extension optional Light source</b>	Yes
<b>Color</b>	
• of the actuating element	green
<b>Material of the actuating element</b>	plastic
<b>Shape of the actuating element</b>	Concentric rings
<b>Number of switching positions</b>	0
<b>Front ring</b>	
<b>Product component front ring</b>	No
<b>Holder</b>	

<b>Material of the holder</b>	Plastic
<b>Contact block/ lampholder</b>	
<b>Mounting type</b>	BA 9s without lamp
<b>Number of lampholders</b>	1
<b>Number of switching elements</b>	0
<b>General technical data</b>	
<b>Product function</b>	
• positive opening	No
• EMERGENCY STOP function	No
<b>Product component</b>	
• Light source	No
<b>Protection class IP</b>	IP66
<b>Vibration resistance</b>	
• acc. to IEC 60068-2-6	20 ... 200 Hz: 5g
<b>Reference code acc. to DIN 40719 extended according to IEC 204-2 acc. to IEC 750</b>	H
<b>Reference code acc. to DIN EN 81346-2</b>	P
<b>Reference code acc. to DIN EN 61346-2</b>	P
<b>Auxiliary circuit</b>	
<b>Number of NC contacts for auxiliary contacts</b>	0
<b>Number of NO contacts for auxiliary contacts</b>	0
<b>Number of CO contacts</b>	
• for auxiliary contacts	0
<b>Connections/ Terminals</b>	
<b>Type of electrical connection</b>	screw-type terminals
<b>Tightening torque of the screws in the bracket</b>	1 ... 1.2 N·m
<b>Ambient conditions</b>	
<b>Ambient temperature</b>	
• during operation	-25 ... +60 °C
• during storage	-40 ... +80 °C
<b>Environmental category during operation acc. to IEC 60721</b>	3K6
<b>Installation/ mounting/ dimensions</b>	
<b>Mounting type</b>	front mounting
<b>Shape of the installation opening</b>	round
<b>Mounting diameter</b>	22 mm
<b>Mounting height</b>	11 mm
<b>Installation width</b>	28 mm
<b>Installation depth</b>	49 mm
<b>Accessories</b>	

Product component holder for 3 switching elements

No

## Certificates/ approvals

### General Product Approval



CCC



CSA



UL



EG-Konf.

[Miscellaneous](#)

### Marine / Shipping



ABS



LRS



PRS



RINA



DNVGL.COM/AF

### other

[Miscellaneous](#)

### other

[Environmental Con-  
firmations](#)

[Confirmation](#)

### Railway

[Special Test Certi-  
ficate](#)

## Further information

**Information- and Downloadcenter (Catalogs, Brochures,...)**

[www.siemens.com/ic10](http://www.siemens.com/ic10)

**Industry Mall (Online ordering system)**

<https://mall.industry.siemens.com/mall/en/en/Catalog/product?mlfb=3SB3204-6BA40>

**Cax online generator**

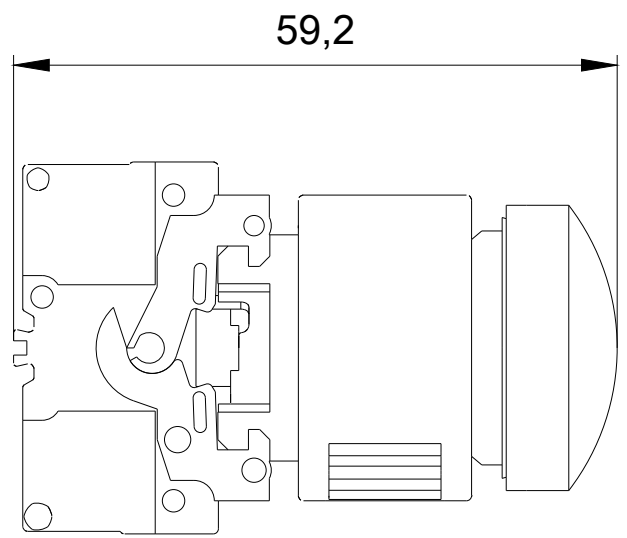
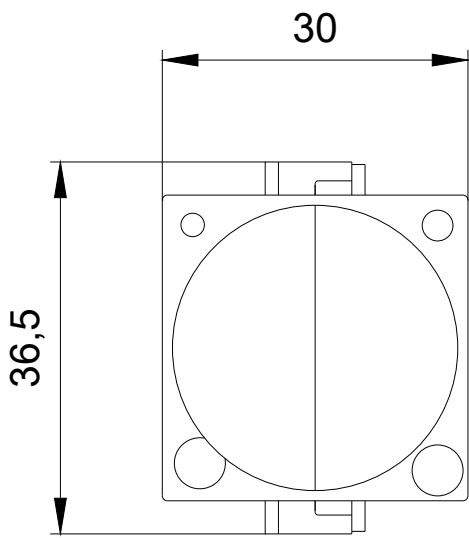
<http://support.automation.siemens.com/WW/CAXorder/default.aspx?lang=en&mlfb=3SB3204-6BA40>

**Service&Support (Manuals, Certificates, Characteristics, FAQs,...)**

<https://support.industry.siemens.com/cs/ww/en/ps/3SB3204-6BA40>

**Image database (product images, 2D dimension drawings, 3D models, device circuit diagrams, EPLAN macros, ...)**

[http://www.automation.siemens.com/bilddb/cax\\_de.aspx?mlfb=3SB3204-6BA40&lang=en](http://www.automation.siemens.com/bilddb/cax_de.aspx?mlfb=3SB3204-6BA40&lang=en)



W9.4444;  
W7.5833; 3SB3

last modified:

01/08/2020