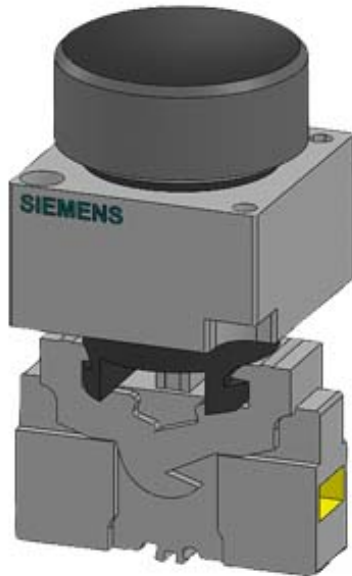


22MM PLASTIC ROUND COMPLETE UNIT COMBINATION:
 PUSHBUTTON WITH FLAT BUTTON SCREW TERMINAL, 1NO
 WITH HOLDER WHITE !!! Phased-out product !!! SIRIUS ACT 3SU1
 is successor Preferred successor type is >>3SU1100-0AB60-
 1BA0<<



Design of the product	Complete unit round
Enclosure	
Shape of the enclosure front	round
Material of the enclosure	plastic
Number of command points	1
Actuator	
Design of the operating mechanism	Pushbutton
Manner of function of the actuating element	momentary contact type
Product extension optional Light source	No
Color	
• of the actuating element	white
Material of the actuating element	plastic
Shape of the actuating element	Flat pushbutton
Type of unlocking device	without
Number of switching positions	2
Front ring	
Product component front ring	Yes
Design of the front ring	Standard

Material of the front ring	plastic
Color of the front ring	black
Holder	
Material of the holder	Plastic
Contact block/ lampholder	
Number of lampholders	0
Number of switching elements	1
General technical data	
Product function	
• positive opening	No
• EMERGENCY STOP function	No
Product component	
• Light source	No
Type of voltage	
• of the operating voltage	AC/DC
Protection class IP	IP66
Vibration resistance	
• acc. to IEC 60068-2-6	20 ... 200 Hz: 5g
Operating frequency maximum	1 000 1/h
Mechanical service life (switching cycles)	
• typical	10 000 000
Reference code acc. to DIN 40719 extended according to IEC 204-2 acc. to IEC 750	S
Reference code acc. to DIN EN 81346-2	S
Reference code acc. to DIN EN 61346-2	S
Operating voltage	
• rated value	5 ... 400 V
Auxiliary circuit	
Number of NC contacts for auxiliary contacts	0
Number of NO contacts for auxiliary contacts	1
Number of CO contacts	
• for auxiliary contacts	0
Operating current at AC-12	
• at 24 V rated value	10 A
• at 48 V rated value	10 A
• at 110 V rated value	10 A
• at 230 V rated value	10 A
• at 400 V rated value	10 A
Operating current at AC-15	
• at 24 V rated value	6 A
• at 48 V rated value	6 A

• at 110 V rated value	6 A
• at 230 V rated value	6 A
• at 400 V rated value	3 A
Operating current at DC-12	
• at 24 V rated value	10 A
• at 48 V rated value	5 A
• at 110 V rated value	2.5 A
• at 230 V rated value	1 A
Operating current at DC-13	
• at 24 V rated value	3 A
• at 48 V rated value	1.5 A
• at 110 V rated value	0.7 A
• at 230 V rated value	0.3 A

Connections/ Terminals

Type of electrical connection	screw-type terminals
Tightening torque of the screws in the bracket	1 ... 1.2 N·m

Ambient conditions

Ambient temperature	
• during operation	-25 ... +70 °C
• during storage	-40 ... +80 °C
Environmental category during operation acc. to IEC 60721	3K6

Installation/ mounting/ dimensions

Mounting type	front mounting
Shape of the installation opening	round
Mounting diameter	22 mm
Mounting height	8 mm
Installation width	28.5 mm
Installation depth	49 mm

Accessories

Product component holder for 3 switching elements	No
----------------------------------------------------------	----

Certificates/ approvals

General Product Approval	Declaration of Conformity
---------------------------------	----------------------------------



[Miscellaneous](#)

Marine / Shipping	other
--------------------------	--------------



[Miscellaneous](#)

other	Railway
--------------	----------------

[Confirmation](#)

[Environmental Con-
firmations](#)

[Special Test Certi-
ficate](#)

Further information

Information- and Downloadcenter (Catalogs, Brochures,...)

www.siemens.com/ic10

Industry Mall (Online ordering system)

<https://mall.industry.siemens.com/mall/en/en/Catalog/product?mlfb=3SB3202-0AA61>

Cax online generator

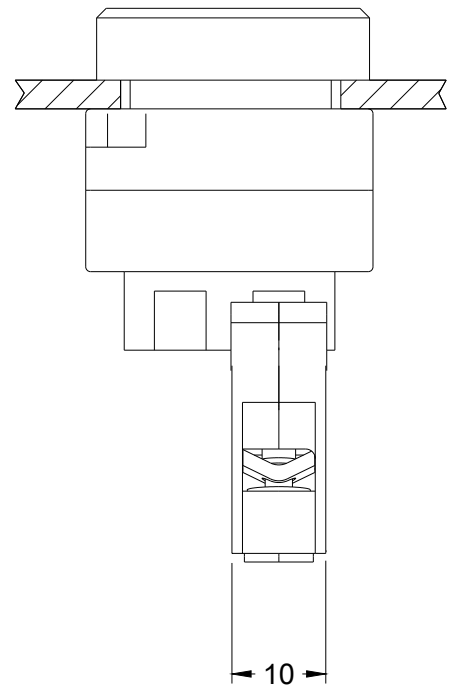
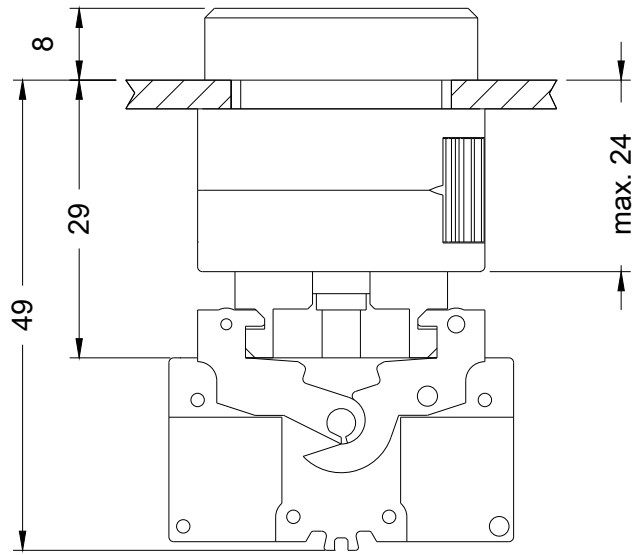
<http://support.automation.siemens.com/WW/CAXorder/default.aspx?lang=en&mlfb=3SB3202-0AA61>

Service&Support (Manuals, Certificates, Characteristics, FAQs,...)

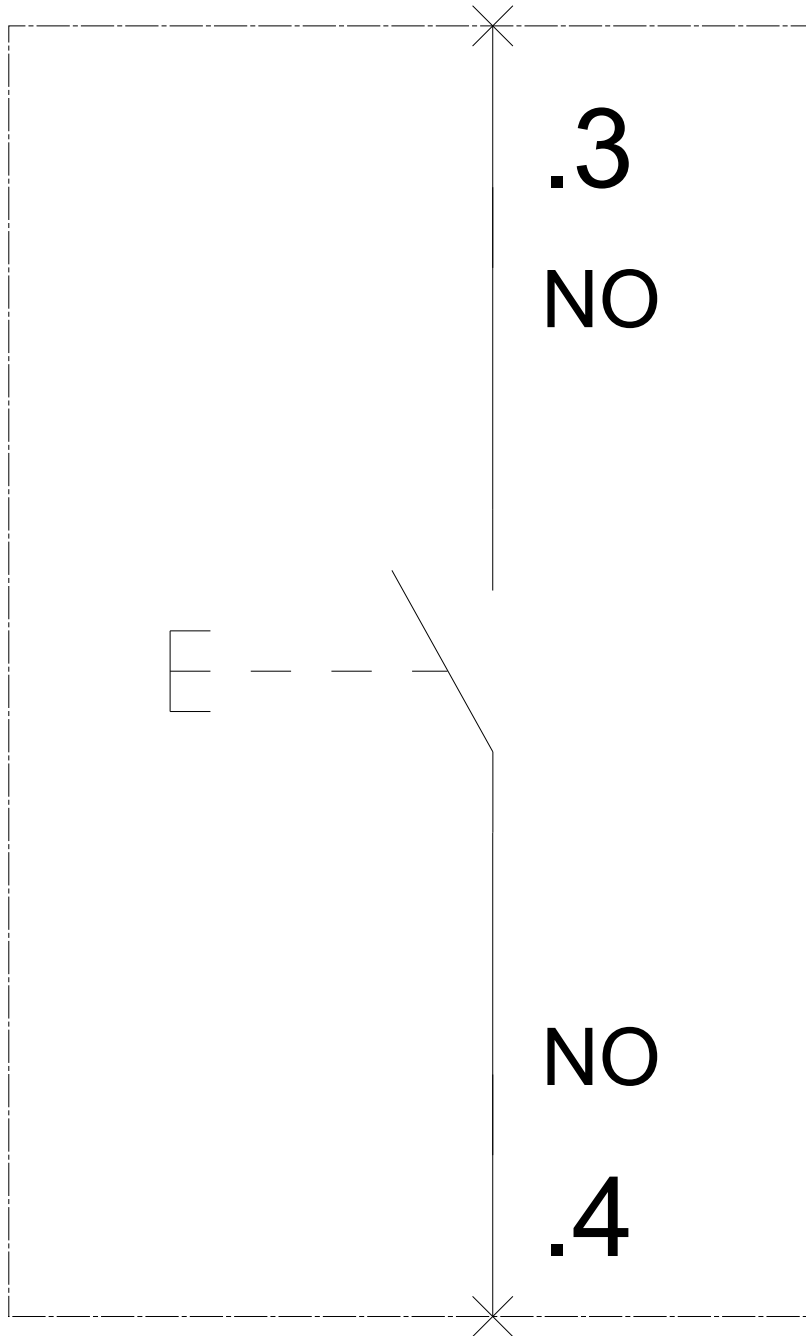
<https://support.industry.siemens.com/cs/ww/en/ps/3SB3202-0AA61>

Image database (product images, 2D dimension drawings, 3D models, device circuit diagrams, EPLAN macros, ...)

http://www.automation.siemens.com/bilddb/cax_de.aspx?mlfb=3SB3202-0AA61&lang=en



-S



last modified:

01/08/2020