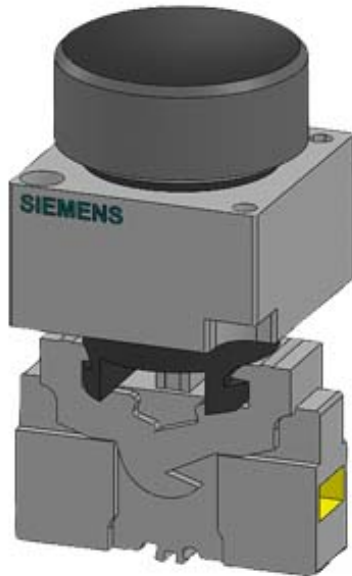


22MM PLASTIC ROUND COMPLETE UNIT COMBINATION:  
 PUSHBUTTON WITH FLAT BUTTON SCREW TERMINAL, 1NO  
 WITH HOLDER BLACK !!! Phased-out product !!! SIRIUS ACT 3SU1  
 is successor Preferred successor type is >>3SU1100-0AB10-  
 1BA0<<



Design of the product	Complete unit round
<b>Enclosure</b>	
Shape of the enclosure front	round
Material of the enclosure	plastic
Number of command points	1
<b>Actuator</b>	
Design of the operating mechanism	Pushbutton
Manner of function of the actuating element	momentary contact type
Product extension optional Light source	No
Color	
• of the actuating element	black
Material of the actuating element	plastic
Shape of the actuating element	Flat pushbutton
Type of unlocking device	without
Number of switching positions	2
<b>Front ring</b>	
Product component front ring	Yes
Design of the front ring	Standard

<b>Material of the front ring</b>	plastic
<b>Color of the front ring</b>	black
<b>Holder</b>	
<b>Material of the holder</b>	Plastic
<b>Contact block/ lampholder</b>	
<b>Number of lampholders</b>	0
<b>Number of switching elements</b>	1
<b>General technical data</b>	
<b>Product function</b>	
• positive opening	No
• EMERGENCY STOP function	No
<b>Product component</b>	
• Light source	No
<b>Type of voltage</b>	
• of the operating voltage	AC/DC
<b>Protection class IP</b>	IP66
<b>Vibration resistance</b>	
• acc. to IEC 60068-2-6	20 ... 200 Hz: 5g
<b>Operating frequency maximum</b>	1 000 1/h
<b>Mechanical service life (switching cycles)</b>	
• typical	10 000 000
<b>Reference code acc. to DIN 40719 extended according to IEC 204-2 acc. to IEC 750</b>	S
<b>Reference code acc. to DIN EN 81346-2</b>	S
<b>Reference code acc. to DIN EN 61346-2</b>	S
<b>Operating voltage</b>	
• rated value	5 ... 400 V
<b>Auxiliary circuit</b>	
<b>Number of NC contacts for auxiliary contacts</b>	0
<b>Number of NO contacts for auxiliary contacts</b>	1
<b>Number of CO contacts</b>	
• for auxiliary contacts	0
<b>Operating current at AC-12</b>	
• at 24 V rated value	10 A
• at 48 V rated value	10 A
• at 110 V rated value	10 A
• at 230 V rated value	10 A
• at 400 V rated value	10 A
<b>Operating current at AC-15</b>	
• at 24 V rated value	6 A
• at 48 V rated value	6 A

• at 110 V rated value	6 A
• at 230 V rated value	6 A
• at 400 V rated value	3 A
<b>Operating current at DC-12</b>	
• at 24 V rated value	10 A
• at 48 V rated value	5 A
• at 110 V rated value	2.5 A
• at 230 V rated value	1 A
<b>Operating current at DC-13</b>	
• at 24 V rated value	3 A
• at 48 V rated value	1.5 A
• at 110 V rated value	0.7 A
• at 230 V rated value	0.3 A

### Connections/ Terminals

<b>Type of electrical connection</b>	screw-type terminals
<b>Tightening torque of the screws in the bracket</b>	1 ... 1.2 N·m

### Ambient conditions

<b>Ambient temperature</b>	
• during operation	-25 ... +70 °C
• during storage	-40 ... +80 °C
Environmental category during operation acc. to IEC 60721	3K6

### Installation/ mounting/ dimensions

<b>Mounting type</b>	front mounting
<b>Shape of the installation opening</b>	round
<b>Mounting diameter</b>	22 mm
<b>Mounting height</b>	8 mm
<b>Installation width</b>	28.5 mm
<b>Installation depth</b>	49 mm

### Accessories

<b>Product component holder for 3 switching elements</b>	No
--	----

### Certificates/ approvals

General Product Approval	Declaration of Conformity
--------------------------	---------------------------



CCC



CSA



UL



EG-Konf.

[Miscellaneous](#)

Marine / Shipping	other
-------------------	-------



ABS



LRS



PRS



RINA



DNVGL.COM/AF

[Environmental Confirmations](#)

other	Railway
-------	---------

[Miscellaneous](#)

[Confirmation](#)

[Special Test Certificate](#)

### Further information

**Information- and Downloadcenter (Catalogs, Brochures,...)**

[www.siemens.com/ic10](http://www.siemens.com/ic10)

**Industry Mall (Online ordering system)**

<https://mall.industry.siemens.com/mall/en/en/Catalog/product?mlfb=3SB3202-0AA11>

**Cax online generator**

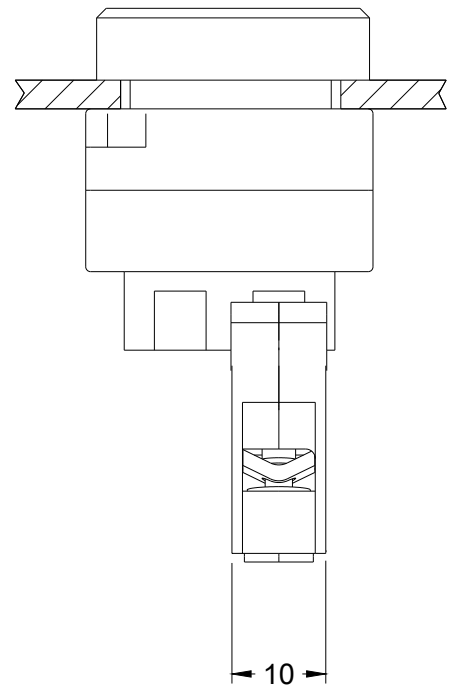
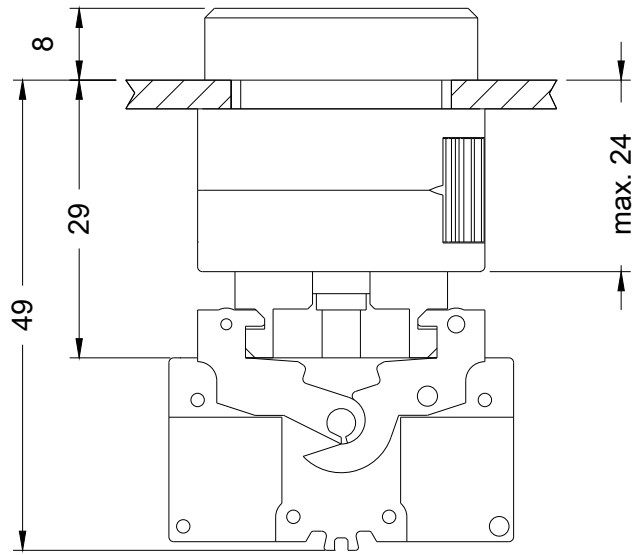
<http://support.automation.siemens.com/WW/CAXorder/default.aspx?lang=en&mlfb=3SB3202-0AA11>

**Service&Support (Manuals, Certificates, Characteristics, FAQs,...)**

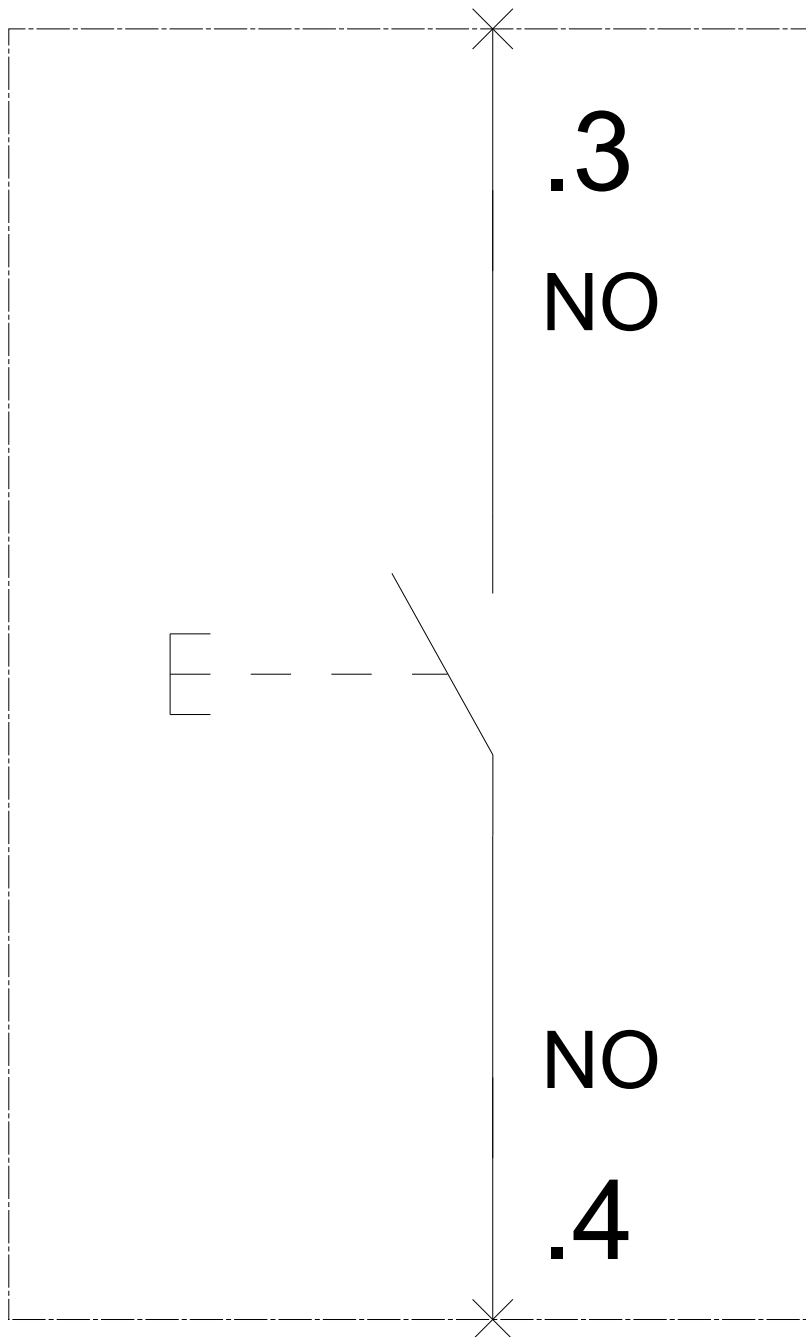
<https://support.industry.siemens.com/cs/ww/en/ps/3SB3202-0AA11>

**Image database (product images, 2D dimension drawings, 3D models, device circuit diagrams, EPLAN macros, ...)**

[http://www.automation.siemens.com/bilddb/cax\\_de.aspx?mlfb=3SB3202-0AA11&lang=en](http://www.automation.siemens.com/bilddb/cax_de.aspx?mlfb=3SB3202-0AA11&lang=en)



-S



last modified:

01/08/2020