

Toggle switch, 22 mm, round, plastic, black, knob, short, 2 switch positions O-I, latching, actuating angle 50 degrees, 11/1 o'clock, with holder, 1 NO + 1 NC, screw terminal !!! Phased-out product !!!  
 Successor is SIRIUS ACT 3SU1 Preferred successor type is >>3SU1002-2BF10-0AA0 + 3SU1500-0AA10-0AA0 + 3SU1400-1AA10-1FA0<<

<b>Design of the product</b>	Complete unit round
<b>Enclosure</b>	
<b>Shape of the enclosure front</b>	round
<b>Material of the enclosure</b>	plastic
<b>Number of command points</b>	1
<b>Actuator</b>	
<b>Design of the operating mechanism</b>	selector switch
<b>Manner of function of the actuating element</b>	latching
<b>Product extension optional Light source</b>	No
<b>Color</b>	
• of the actuating element	black
<b>Material of the actuating element</b>	plastic
<b>Type of unlocking device</b>	rotate-to-unlatch mechanism
<b>Number of switching positions</b>	2
<b>Front ring</b>	
<b>Product component front ring</b>	Yes
<b>Design of the front ring</b>	Standard
<b>Material of the front ring</b>	plastic
<b>Color of the front ring</b>	black
<b>Holder</b>	
<b>Material of the holder</b>	Plastic
<b>Contact block/ lampholder</b>	
<b>Number of lampholders</b>	0
<b>Number of switching elements</b>	1
<b>General technical data</b>	
<b>Product function</b>	
• positive opening	Yes
• EMERGENCY STOP function	No
<b>Product component</b>	
• Light source	No
<b>Type of voltage</b>	

• of the operating voltage	AC/DC
<b>Protection class IP</b>	IP66
<b>Vibration resistance</b>	
• acc. to IEC 60068-2-6	20 ... 200 Hz: 5g
<b>Operating frequency maximum</b>	1 000 1/h
<b>Mechanical service life (switching cycles)</b>	
• typical	300 000
<b>Reference code acc. to DIN 40719 extended according to IEC 204-2 acc. to IEC 750</b>	S
<b>Reference code acc. to DIN EN 81346-2</b>	S
<b>Reference code acc. to DIN EN 61346-2</b>	S
<b>Operating voltage</b>	
• rated value	5 ... 400 V

Auxiliary circuit	
<b>Number of NC contacts for auxiliary contacts</b>	1
<b>Number of NO contacts for auxiliary contacts</b>	1
<b>Number of CO contacts</b>	
• for auxiliary contacts	0
<b>Operating current at AC-12</b>	
• at 24 V rated value	10 A
• at 48 V rated value	10 A
• at 110 V rated value	10 A
• at 230 V rated value	10 A
• at 400 V rated value	10 A
<b>Operating current at AC-15</b>	
• at 24 V rated value	6 A
• at 48 V rated value	6 A
• at 110 V rated value	6 A
• at 230 V rated value	6 A
• at 400 V rated value	3 A
<b>Operating current at DC-12</b>	
• at 24 V rated value	10 A
• at 48 V rated value	5 A
• at 110 V rated value	2.5 A
• at 230 V rated value	1 A
<b>Operating current at DC-13</b>	
• at 24 V rated value	3 A
• at 48 V rated value	1.5 A
• at 110 V rated value	0.7 A
• at 230 V rated value	0.3 A

## Connections/ Terminals

Type of electrical connection	screw-type terminals
Tightening torque of the screws in the bracket	1 ... 1.2 N·m

### Ambient conditions

<b>Ambient temperature</b>	
• during operation	-25 ... +70 °C
• during storage	-40 ... +80 °C
Environmental category during operation acc. to IEC 60721	3K6

### Installation/ mounting/ dimensions

Mounting type	front mounting
Shape of the installation opening	round
Mounting diameter	22 mm
Mounting height	24 mm
Installation width	28.5 mm
Installation depth	63 mm

### Accessories

Product component holder for 3 switching elements	No
---	----

### Certificates/ approvals

General Product Approval				Declaration of Conformity	
 CCC	 CSA	 UL	 EAC	 EG-Konf.	<a href="#">Miscellaneous</a>

Marine / Shipping					other
 ABS	 LRS	 PRS	 RINA	 DNV-GL DNVGL.COM/AF	<a href="#">Confirmation</a>

other		Railway
<a href="#">Environmental Con- firmations</a>	<a href="#">Miscellaneous</a>	<a href="#">Special Test Certi- ficate</a>

### Further information

Information- and Downloadcenter (Catalogs, Brochures,...)  
[www.siemens.com/ic10](http://www.siemens.com/ic10)

Industry Mall (Online ordering system)  
<https://mall.industry.siemens.com/mall/en/en/Catalog/product?mlfb=3SB3201-2KA11>

**Cax online generator**

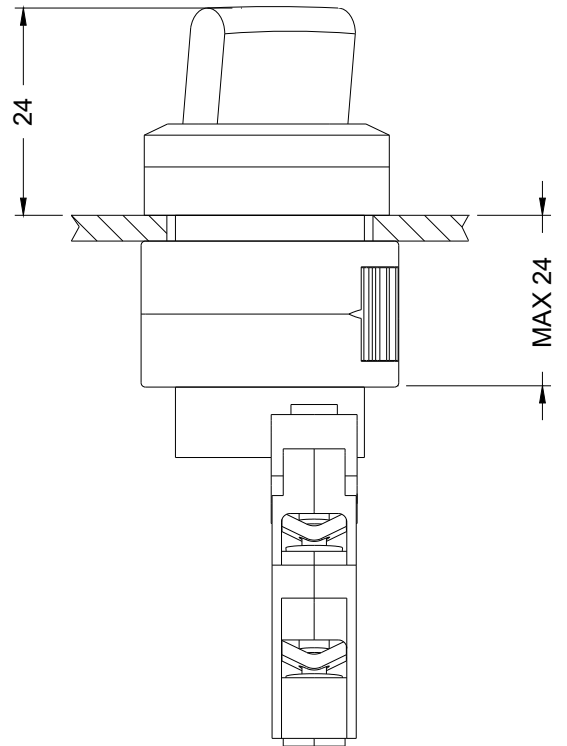
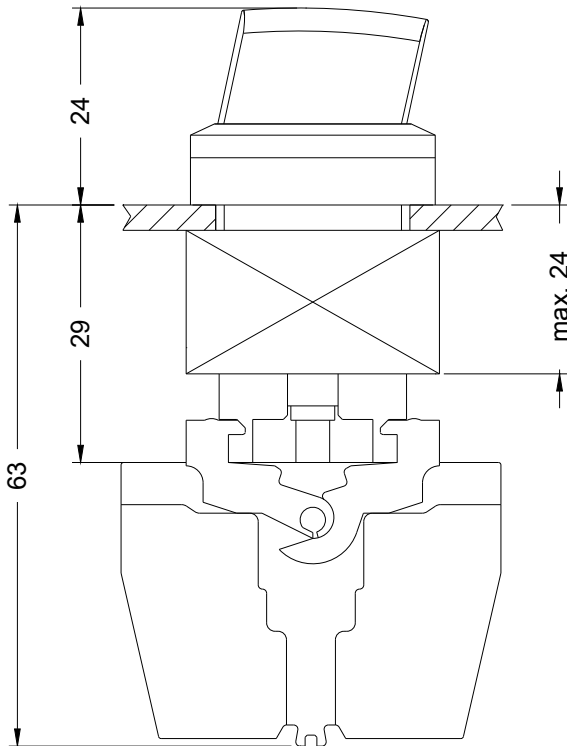
<http://support.automation.siemens.com/WW/CAXorder/default.aspx?lang=en&mlfb=3SB3201-2KA11>

**Service&Support (Manuals, Certificates, Characteristics, FAQs,...)**

<https://support.industry.siemens.com/cs/ww/en/ps/3SB3201-2KA11>

**Image database (product images, 2D dimension drawings, 3D models, device circuit diagrams, EPLAN macros, ...)**

[http://www.automation.siemens.com/bilddb/cax\\_de.aspx?mlfb=3SB3201-2KA11&lang=en](http://www.automation.siemens.com/bilddb/cax_de.aspx?mlfb=3SB3201-2KA11&lang=en)



last modified:

01/08/2020