

3-phase supply terminal for 3-phase busbars for size S0  
 Connection from above Fork shape connections !!!  
 Phased-out product !!! Successor is SIRIUS 3RV2  
 Preferred successor type is >>3RV2925-5AB<< for use  
 at 3RA6 >>3RV2925-5EB<<



**General technical data:**

<b>Product brand name</b>		SIRIUS
<b>Product designation</b>		Three-phase feeder terminal
<b>Size of the circuit-breaker</b>		S00, S0
<b>Protection class IP on the front</b>		IP20
Insulation voltage with degree of pollution 3 rated value	V	690
<b>Ambient temperature</b>		
• during storage	°C	-50 ... +80
• during operation	°C	-20 ... +60
<b>Ampacity maximum</b>	A	63

**Installation/ mounting/ dimensions:**

<b>Width</b>	mm	44.5
<b>Height</b>	mm	39
<b>Depth</b>	mm	27.2

**Connections/ Terminals:**

Type of electrical connection for main current circuit		screw-type terminals
Type of connectable conductor cross-sections		

- for main contacts
  - solid
  - stranded
  - finely stranded
    - with core end processing
- at AWG conductors for main contacts

	1x (2.5 ... 16 mm <sup>2</sup> )
	1x (2.5 ... 25 mm <sup>2</sup> )
	1x (4 ... 16 mm <sup>2</sup> )
	1x (10 ... 4)

Certificates/ approvals:

Certificate of suitability

CE / UL / CSA / CCC

General Product Approval	Declaration of Conformity	Shipping Approval
--------------------------	---------------------------	-------------------



[Miscellaneous](#)



Shipping Approval

other



[Confirmation](#)



Further information

Information- and Downloadcenter (Catalogs, Brochures,...)

<http://www.siemens.com/industrial-controls/catalogs>

Industry Mall (Online ordering system)

<http://www.siemens.com/industrymall>

Cax online generator

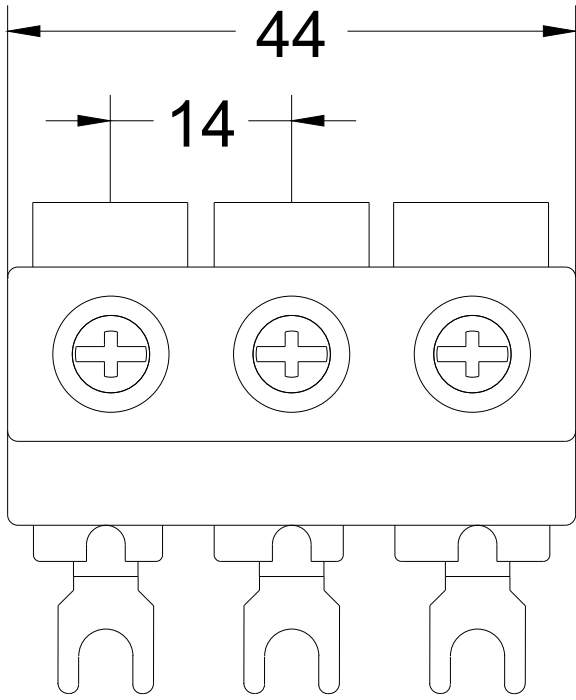
<http://support.automation.siemens.com/WW/CAXorder/default.aspx?lang=en&mlfb=3RV1925-5AB>

Service&Support (Manuals, Certificates, Characteristics, FAQs,...)

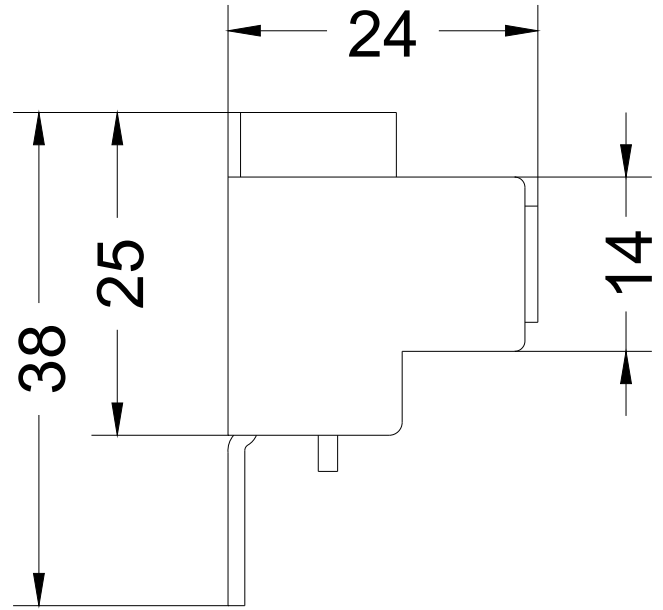
<https://support.industry.siemens.com/cs/ww/en/ps/3RV1925-5AB>

Image database (product images, 2D dimension drawings, 3D models, device circuit diagrams, EPLAN macros, ...)

[http://www.automation.siemens.com/bilddb/cax\\_de.aspx?mlfb=3RV1925-5AB&lang=en](http://www.automation.siemens.com/bilddb/cax_de.aspx?mlfb=3RV1925-5AB&lang=en)



last modified:



01/18/2020