

signaling switch for circuit breaker Size S0...S3 !!!  
 Phased-out product !!! Successor is SIRIUS 3RV2  
 Preferred successor type is >>3RV2921-1M<<



| General technical data:          |    |   |
|----------------------------------|----|---|
| Product brand name               |    | SIRIUS  |
| Product designation              |    | signaling switch  |
| Design of the product            |    | separate tripped signal and short circuit alarm, 1 NO + 1 NC each |
| Size of the circuit-breaker      |    | S0, S2, S3  |
| Protection class IP on the front |    | IP20  |
| Ambient temperature              |    |   |
| • during storage                 | °C | -50 ... +80   |
| • during operation               | °C | -20 ... +60   |

| Auxiliary circuit:   |  |   |
|--|--|---|
| Number of NC contacts for auxiliary contacts instantaneous contact |  | 1 |
| Number of NO contacts for auxiliary contacts instantaneous contact |  | 1 |
| Number of CO contacts of auxiliary contacts instantaneous contact  |  | 0 |
| Operating current  |  |   |
| • of auxiliary contacts  |  |   |

|                                 |   |      |
|---------------------------------|---|------|
| — at AC-12                      |   |      |
| — at 24 V                       | A | 10   |
| — at 230 V                      | A | 10   |
| — at 400 V                      | A | 10   |
| — at 690 V                      | A | 10   |
| — maximum                       | A | 10   |
| — at AC-15                      |   |      |
| — at 24 V                       | A | 6    |
| — at 230 V                      | A | 4    |
| — at 400 V                      | A | 3    |
| — at DC-13                      |   |      |
| — at 24 V                       | A | 2    |
| — at 110 V                      | A | 0.5  |
| — at 220 V                      | A | 0.25 |
| • at AC-15 at 690 V rated value | A | 1    |

#### Installation/ mounting/ dimensions:

|                      |    |                |
|----------------------|----|----------------|
| <b>Mounting type</b> |    | plug-in fixing |
| <b>Width</b>         | mm | 18             |
| <b>Height</b>        | mm | 90             |
| <b>Depth</b>         | mm | 68             |

#### Connections/ Terminals:

|   |  |   |
|---|--|---|
| Type of electrical connection for auxiliary and control current circuit |  | screw-type terminals  |
| <b>Type of connectable conductor cross-sections</b>                     |  |   |
| • for auxiliary contacts  |  |   |
| — solid   |  | 2x (0.5 ... 1.5 mm <sup>2</sup> ), 2x (0.75 ... 2.5 mm <sup>2</sup> ) |
| — finely stranded   |  |   |
| — with core end processing  |  | 2x (0.5 ... 1.5 mm <sup>2</sup> ), 2x (0.75 ... 2.5 mm <sup>2</sup> ) |
| • at AWG conductors for auxiliary contacts                              |  | 2x (18 ... 14)  |

#### Certificates/ approvals:

|                                   |  |                     |
|-----------------------------------|--|---------------------|
| <b>Certificate of suitability</b> |  | CE / UL / CSA / CCC |
|-----------------------------------|--|---------------------|

|                          |                           |
|--------------------------|---------------------------|
| General Product Approval | Declaration of Conformity |
|--------------------------|---------------------------|



[KC](#)



|                           |                   |                   |       |
|---------------------------|-------------------|-------------------|-------|
| Declaration of Conformity | Test Certificates | Shipping Approval | other |
|---------------------------|-------------------|-------------------|-------|

[Miscellaneous](#)

[Special Test Certificate](#)

[Type Test Certificates/Test Report](#)



[Confirmation](#)

|       |
|-------|
| other |
|-------|



|                     |
|---------------------|
| Further information |
|---------------------|

**Information- and Downloadcenter (Catalogs, Brochures,...)**

<http://www.siemens.com/industrial-controls/catalogs>

**Industry Mall (Online ordering system)**

<http://www.siemens.com/industrymall>

**Cax online generator**

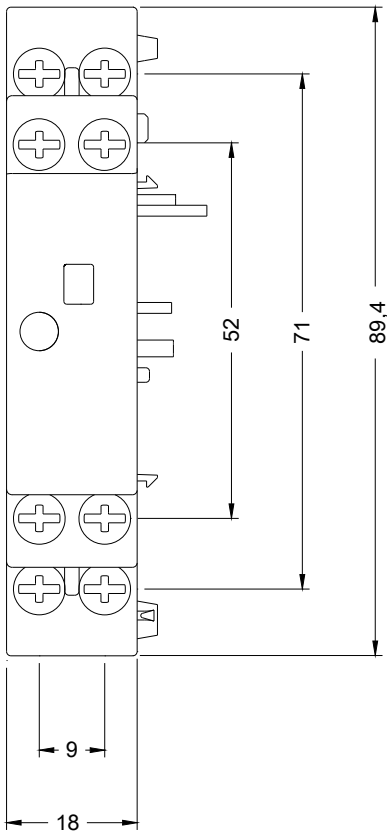
<http://support.automation.siemens.com/WW/CAXorder/default.aspx?lang=en&mfb=3RV1921-1M>

**Service&Support (Manuals, Certificates, Characteristics, FAQs,...)**

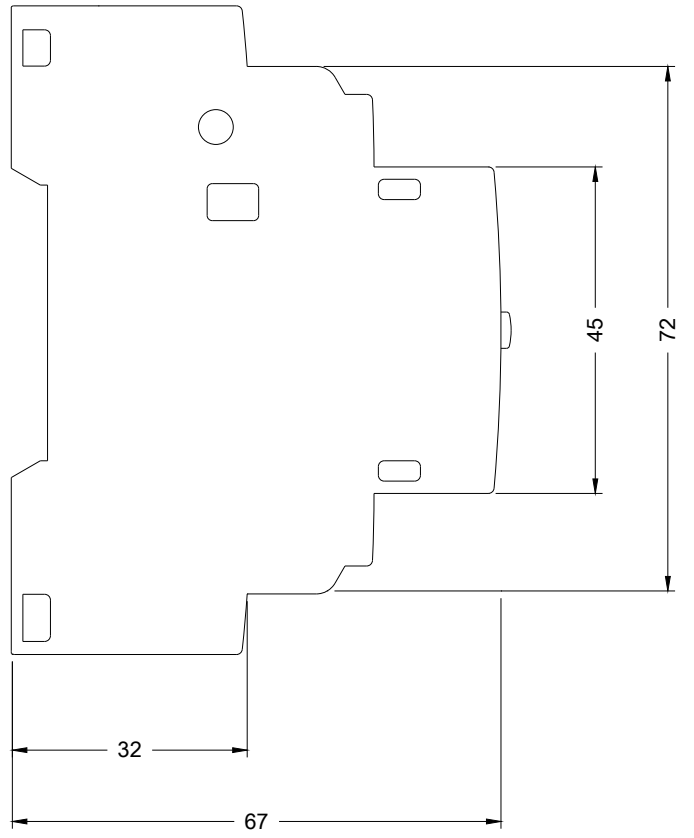
<https://support.industry.siemens.com/cs/ww/en/ps/3RV1921-1M>

**Image database (product images, 2D dimension drawings, 3D models, device circuit diagrams, EPLAN macros, ...)**

[http://www.automation.siemens.com/bilddb/cax\\_de.aspx?mfb=3RV1921-1M&lang=en](http://www.automation.siemens.com/bilddb/cax_de.aspx?mfb=3RV1921-1M&lang=en)



last modified:



01/08/2020